

**MERLO**

COMPANY  
WITH QUALITY SYSTEM  
CERTIFIED BY DNV  
— ISO 9001 —

# panoramic

26.6 LP

26.6 LPT

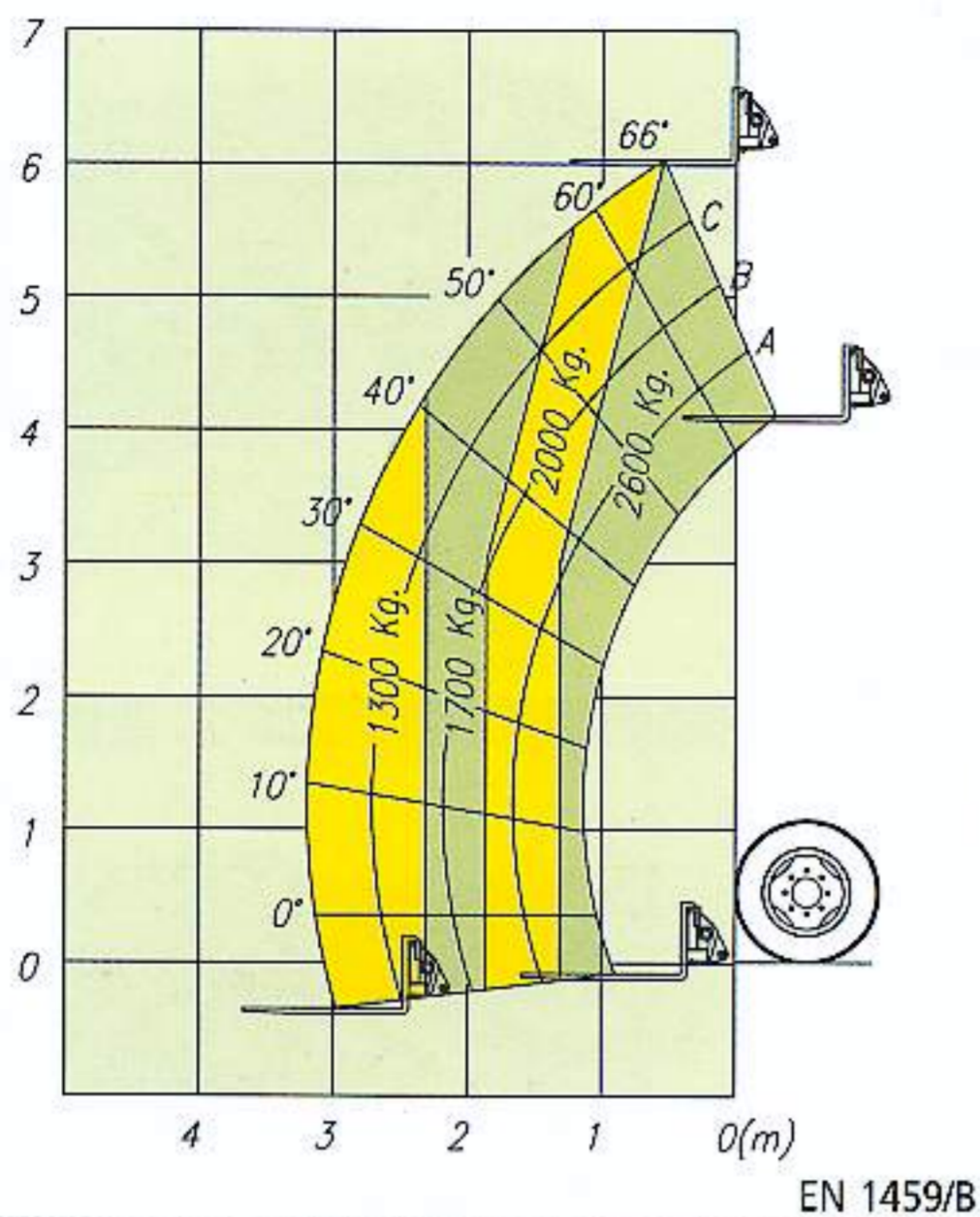
26.6 SP

26.6 SPT



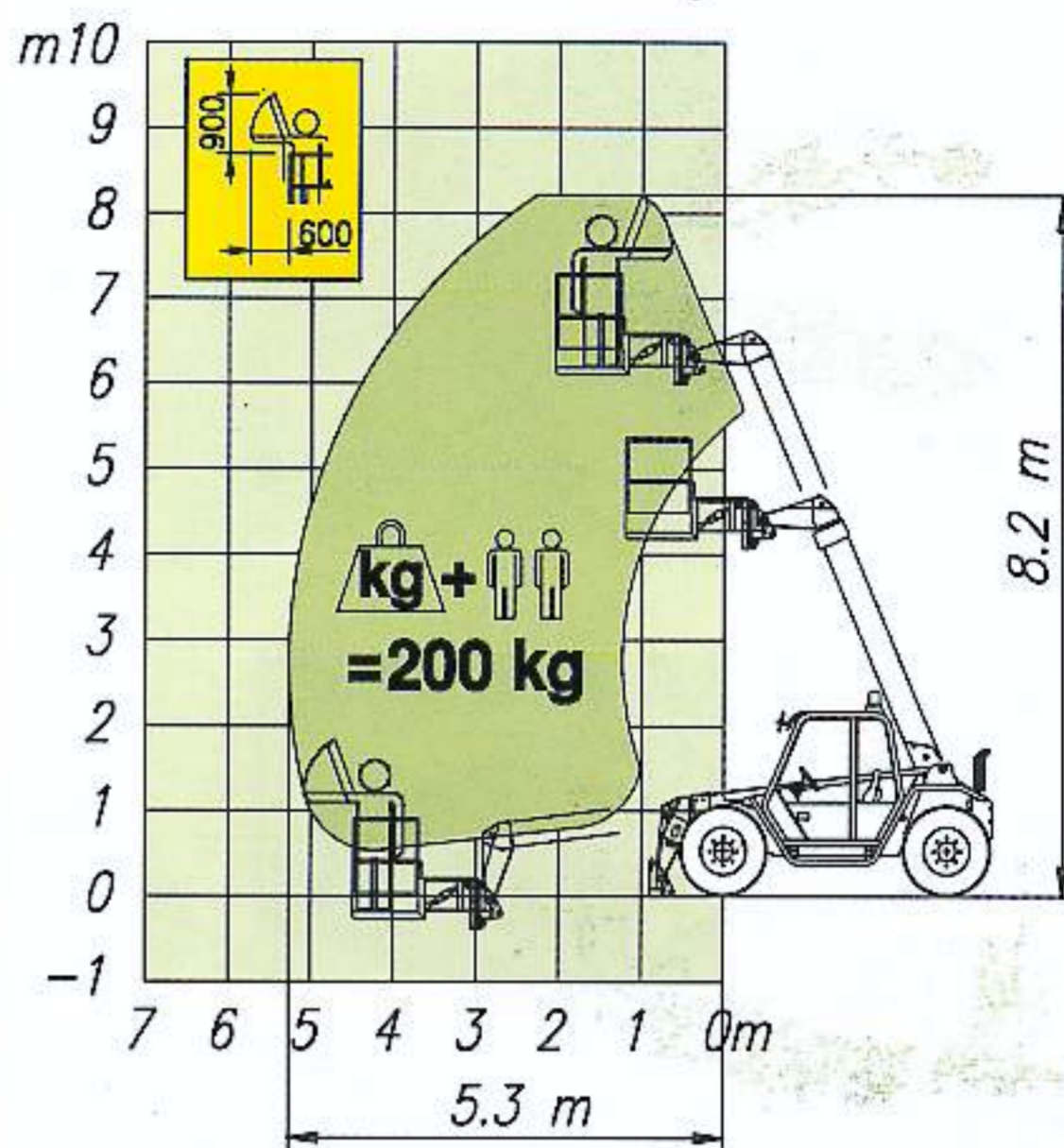
# PANORAMIC 26.6 series

## FORKS



**P 26.6 LP - P 26.6 LPT - P 26.6 SP - P 26.6 SPT**

## WORKING PLATFORM\*



**P 26.6 SP - P 26.6 SPT**

### REDUCED DIMENSIONS

- Two types of cab are available:
  - Standard profile cab (handlers S series) with 2150mm height.
  - Low profile cab (handlers L series) with 1995mm height.
- For all models the width is 2000mm.

### SAFETY DEVICES

- An overload warning device activates both audible and visual signals and blocks further overloading actions.
- All boom and lifting hydraulic cylinders are fitted with pilot-operated check valves.

### BOOM

- Two telescopic sections, made of high yield steel, each sliding on adjustable anti-friction pads.

### CAB

- The high yield steel frame conforms to ROPS (ISO 3471) and FOPS (ISO 3449) standards.
- The internal width is 940mm.
- Boom movements are controlled with a "4 in 1" Merlo joystick control.



### HYDRAULIC SYSTEM

- Gear pump, with operating pressure of 210 bar and maximum flow of 91 lpm.

### ENGINE

- Low emission 4 cylinder Diesel engine located longitudinally on the right side of the chassis (Merlo patent).



### HYDROSTATIC TRANSMISSION

- Two speed range gear box electrically operated.
- An "Inching-Control" makes it possible to precisely vary travel speed independently of engine speed.
- With the "Finger-Touch" system it is possible to change driving direction even when the machine is moving, without the operator having to remove his hands from the steering wheel.



### STEERING

- All four wheels are steered, with auto-synchronisation realigning the steering wheels should they become misaligned:
  - Front Wheel Steer.
  - Four Wheel Steer.
  - Crab Steer.

### CARRIAGE

- The 'Tac-Lock' quick attachment fitting system is hydraulically controlled from the cab.
- Two boom-end mounted hydraulic lines are provided, which can be combined as a single double acting service.

### FORKS

- Floating type with a length of 1200mm and section 125 x 45mm.
- Centre to centre fork distances manually adjusted from between 450 up to 1010mm.

### BRAKES

- Hydraulic service disc brakes are fitted to all four wheels, operating on the differential output shafts.
- A 'Fail-safe' spring-operated, hydraulic release, disc parking brake is fitted to the main transmission output shaft.

### ELECTRICS

- 12V system with 100Ah battery and 65A alternator.
- Full road lighting and flashing beacon.
- Electric cable inside the boom to supply a electric socket (12 V - 10 A) at its end.

### CAPACITIES

- Hydraulic oil: 95 l
- Diesel fuel: 100 l
- Hydrostatic oil: 12 l
- Engine oil: 8,5 l
- Coolant: 12 l

### TYRES

- 400/70-20

### \* Version:

- Basket controlled.
- Basket controlled machine drive (depending upon national requirements).



### OPTIONS

- Cab mounted working lights
- Pneumatic seat<sup>(2)</sup>
- Rear differential lock
- Prerarrangement for attachments requiring two hydraulic services (e.g. concrete mixer)
- Air conditioning
- 405/70-24 tyres

<sup>(1)</sup> Standard on P 26.6 LPT and P 26.6 SPT

<sup>(2)</sup> Only on P 26.6 SP and P 26.6 SPT

# THE RANGE

## LOW PROFILE CAB

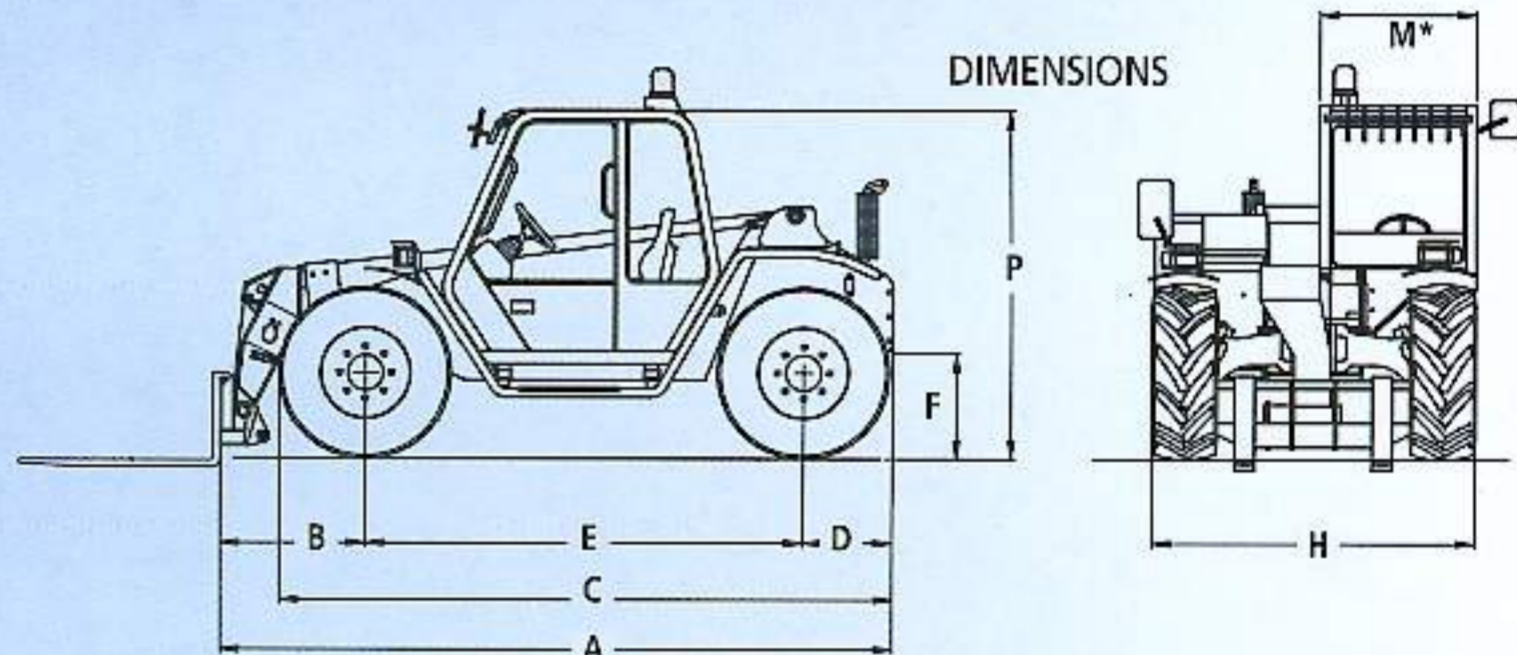
## STANDARD PROFILE CAB

MODEL		26.6 LP	26.6 LPT	26.6 SP	26.6 SPT
<b>WEIGHT</b>					
Total operating weight (with forks)	kg	5520	5520	5560	5560
<b>PERFORMANCE</b>					
Rated maximum load	kg	2600	2600	2600	2600
Maximum lift height	mm	5980	5980	5980	5980
Maximum forward reach	mm	3210	3210	3210	3210
Lift height at full capacity	mm	5980	5980	5980	5980
Reach at full capacity	mm	1300	1300	1300	1300
Capacity at full forward reach	kg	1300	1300	1300	1300
Capacity at full lift height	kg	2600	2600	2600	2600
Tear-out force with 800 l bucket	kg	3500	3500	3500	3500
Drawbar pull	kg	7200	7200	7200	7200
Carriage rotation	deg	140	140	140	140
Engine	Low emission (97/68/CE) Perkins 1004-42 (nat. aspirated) or 1004-40T (turbo)				
Nat. Aspirated/Turbo		A	T	A	T
Power at 2400 rpm (ISO 3046/1)		61,5 kW	80,4 kW	61,5 kW	80,4 kW
<b>SPEED</b>					
1 <sup>st</sup> gear	kph	7	15	7	15
2 <sup>nd</sup> gear	kph	25	40	25	40

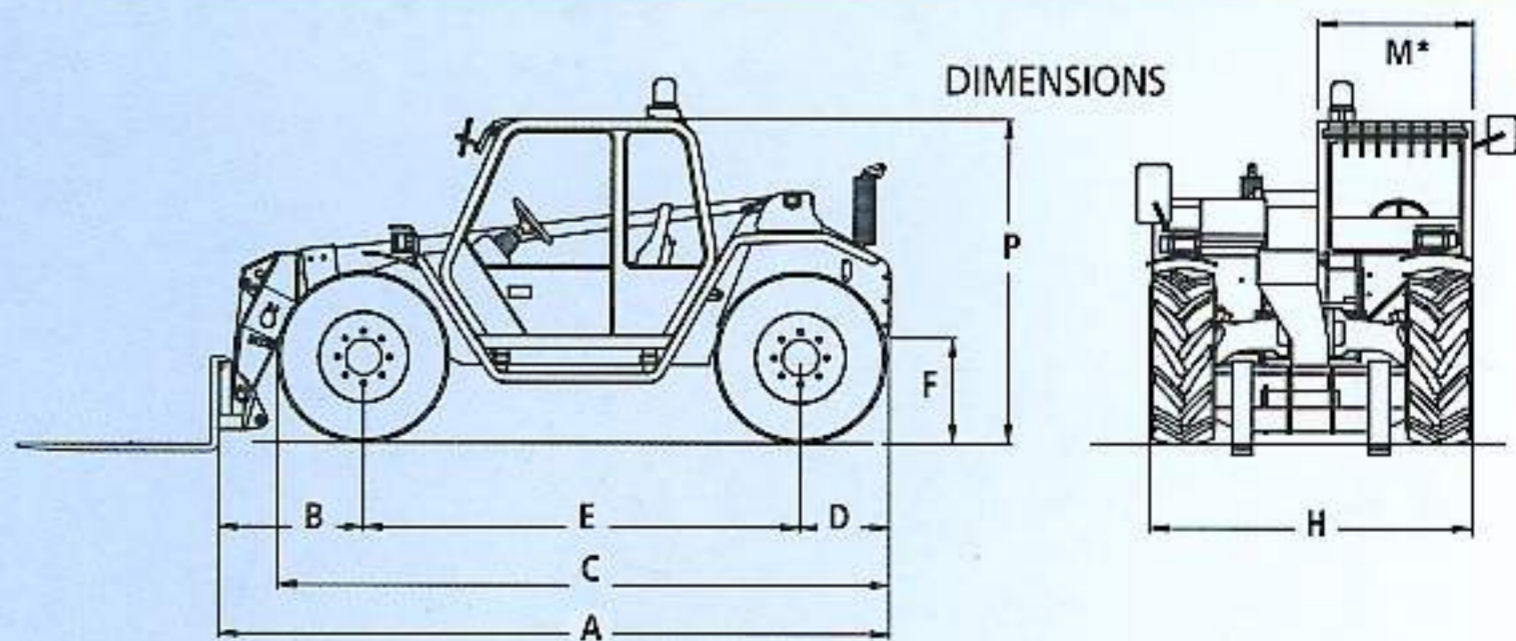
PANORAMIC		26.6 LP	26.6 LPT	26.6 SP	26.6 SPT
A	mm	4210	4210	4210	4210
B	mm	960	960	960	960
C	mm	3800	3800	3800	3800
D	mm	560	560	560	560
E	mm	2690	2690	2690	2690
F	mm	505	505	505	505
H	mm	2000	2000	2000	2000
M	mm	940	940	940	940
P	mm	1995	1995	2150	2150
R	mm	3700	3700	3700	3700
S	mm	4550	4550	4550	4550
T	mm	3550	3550	3550	3550
Z	mm	850	850	850	850



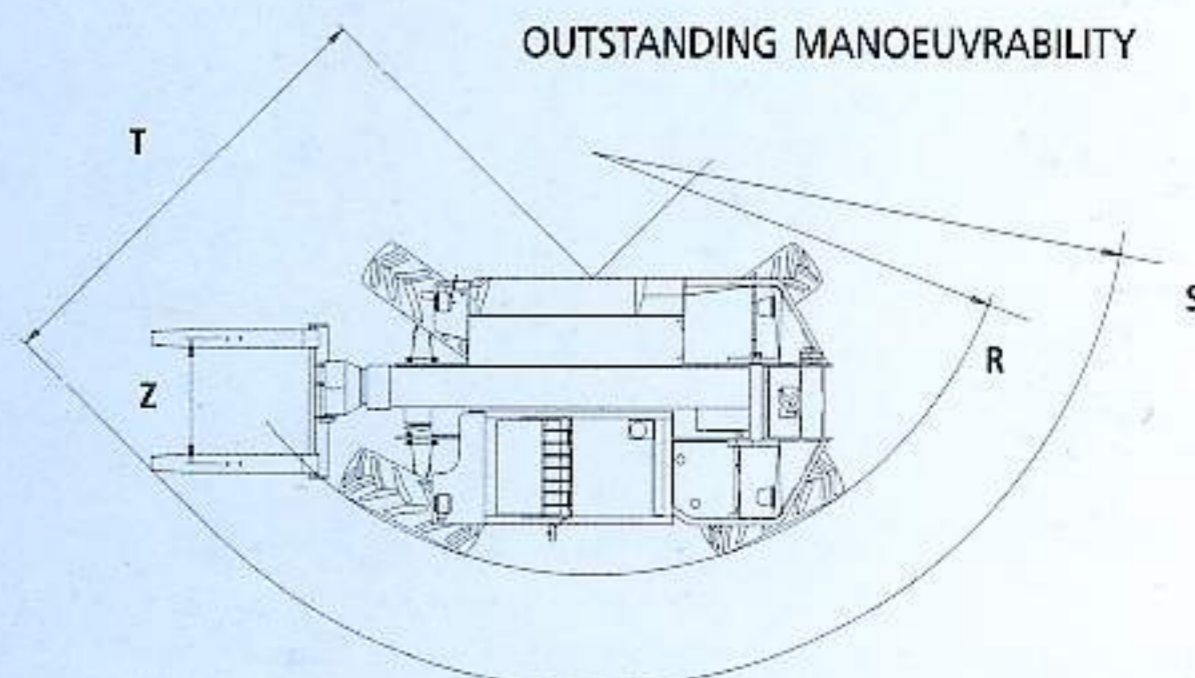
### P 26.6 SP/SPT



### P 26.6 LP/LPT

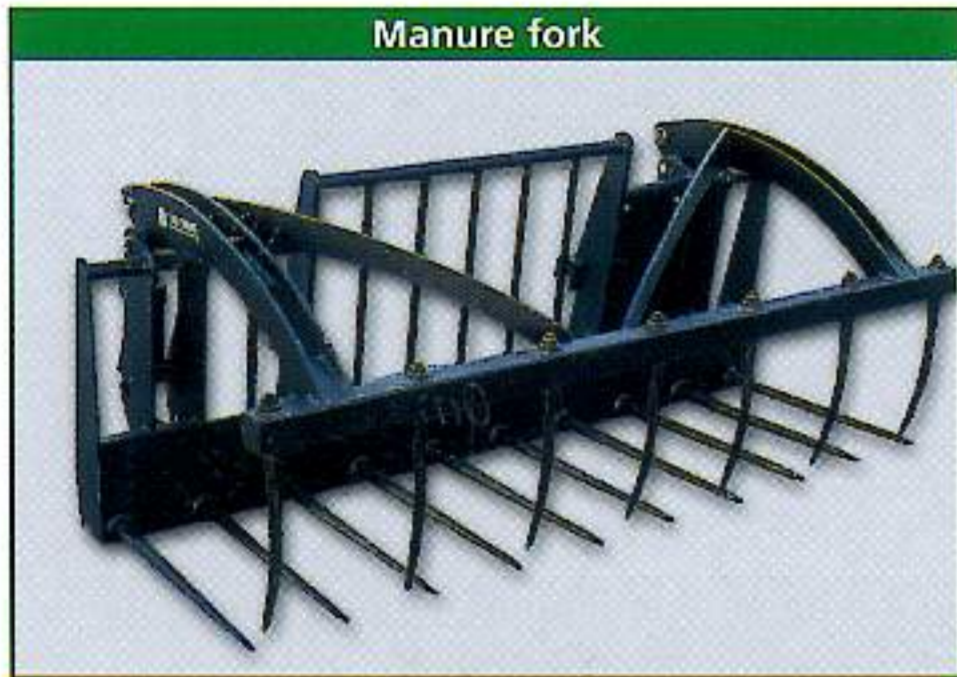
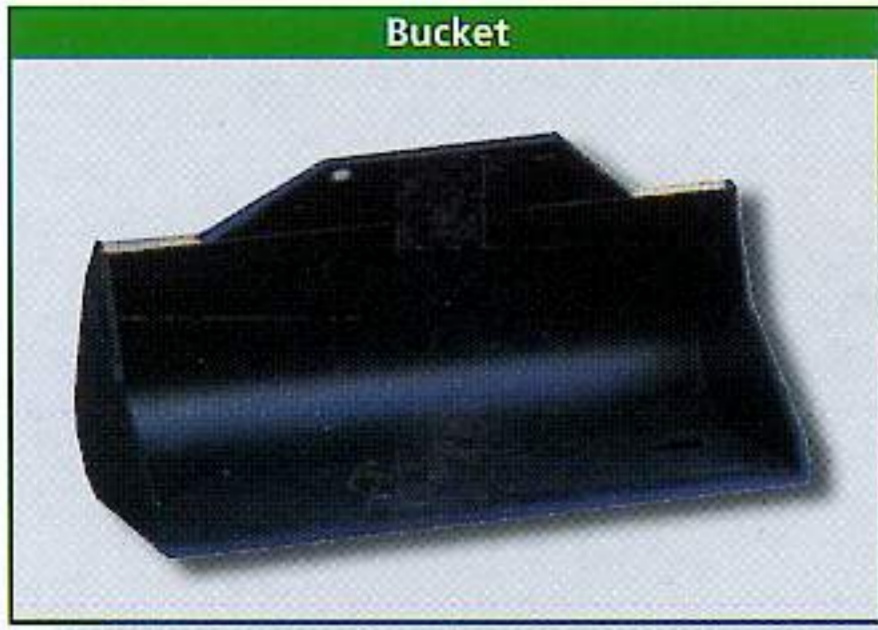


### OUTSTANDING MANOEUVRABILITY



\* Internal width

An enormous range of interchangeable attachments and options increase the versatility and performance of PANORAMIC 26.6 series handlers



**MERLO**

**MERLO SPA INDUSTRIA METALMECCANICA**

12020 S. Defendente di Cervasca (CN) - Italy

Tel. 0171 614111 - Fax 0171 614100

[www.merlo.com](http://www.merlo.com) - [info@merlo.com](mailto:info@merlo.com)



**MERLO FRANCE**

[info@merlo-france.fr](mailto:info@merlo-france.fr)



**MERLO UK**

[info@merlo.co.uk](mailto:info@merlo.co.uk)



**HEINRICHS-MERLO**

[info@heinrichs-merlo.de](mailto:info@heinrichs-merlo.de)



**MERLO IBERICA**

[servicios\\_generales@merlo-iberica.es](mailto:servicios_generales@merlo-iberica.es)

**MERLO**

**MERLO UK LTD**

Paddocks Headlands Business Park - Salisbury Road  
RINGWOOD - HAMPSHIRE - BH24 3PB - ENGLAND

Tel. (01425) 480806/470701 - Fax (01425) 477478

[www.merlo.co.uk](http://www.merlo.co.uk) - [info@merlo.co.uk](mailto:info@merlo.co.uk)